



GOVERNMENT GAZETTE

OF THE

REPUBLIC OF NAMIBIA

N\$2.41

WINDHOEK - 15 November 1997

No. 1730

CONTENTS

	<i>Page</i>
GOVERNMENT NOTICES	
No. 222 The Income Tax Act, 1981: Constitution of additional special court for hearing income tax appeals and appointment of members thereof	2
No. 223 The Income Tax Act, 1981: Constitution of additional special court for hearing income tax appeals and appointment of members thereof	3
No. 224 Commencement of Cross-border Road Transportation Act, 1996	3
No. 225 Reservation of land from prospecting and mining operations in Windhoek District, Khomas Region: Minerals (Prospecting and Mining) Act, 1992	3
No. 226 Narraville: Extension of Boundaries (Erf 3001)	6
No. 227 Narraville; Extension of Boundaries (Erf 3002)	6
No. 228 Tamariskia (Extension 2): Variation of conditions of establishment	6
No. 229 Request that a road be declared a proclaimed farm road (No. 1608): District of Gobabis: Omaheke Region	7
No. 230 Application that a road be declared a proclaimed District road (No. 3717): District of Opuwo: Kunene Region	7
No. 231 Application that a portion of farm road 1717 be deviated: District of Gobabis: Omaheke Region	8
No. 232 Change of number of farm road 1239 to farm road 1204: District of Rehoboth: Hardap Region	9
No. 233 Application and proposal that portions of farm road 2725 be closed: District of Outjo: Kunene Region	
GENERAL NOTICES	
No. 304 Gobabis Amendment Scheme No. 3	10

No. 305	Okahandja Amendment Scheme No. 1	10
No. 306	Grootfontein Amendment Scheme No. 2	11
No. 307	Swakopmund Amendment Scheme No. 9	11
No. 308	Leonardville Village Council: Water Supply Tariffs and Charges	11
No. 309	Stampriet Village Council: Water Supply Tariffs and Charges	12
No. 310	Establishment of the township: Okongo	13
No. 311	Establishment of the township: Omungwelumbe	13
No. 312	Establishment of the township: Ongenga	14
No. 313	Oshakati Town Planning Scheme	14
No. 314	Ongwediva Town Council: Levying of rates on rateable property 1997/98	15
No. 315	Municipality of Swakopmund: Amendment of Tender Regulations	15
No. 316	Municipality of Walvis Bay: Permanent closure of a street portion, Walvis Bay	16
No. 317	Municipality of Walvis Bay: Charges and fees in respect of Library Services ...	16
No. 318	Municipality of Windhoek: Amendment of Health Regulations	17
No. 319	City of Windhoek: Permanent closing of Portion G of Hosea Kutako Drive, Portion H of Erf 5569 Windhoek, and Portion 1 of Reger Street Windhoek, as street	17

Government Notices

MINISTRY OF FINANCE

No. 222

1997

**THE INCOME TAX ACT, 1981: CONSTITUTION OF ADDITIONAL
SPECIAL COURT FOR HEARING INCOME TAX APPEALS AND
APPOINTMENT OF MEMBERS THEREOF**

Under section 73 of the Income Tax Act, 1981 (Act 24 of 1981), I hereby -

- (a) constitute an additional special court for hearing income tax appeals in terms of that section 73; and
- (b) appoint as members of the additional special court hereby constituted -
 - (i) accountant: Pottas, J.J. of Windhoek; and
 - (ii) representative of the commercial community: Matthews, D.O.N. of Windhoek.

N. MBUMBA
MINISTER OF FINANCE

Windhoek, 3 November 1997

MINISTRY OF FINANCE

No. 223

1997

**THE INCOME TAX ACT, 1981: CONSTITUTION OF ADDITIONAL
SPECIAL COURT FOR HEARING INCOME TAX APPEALS AND
APPOINTMENT OF MEMBERS THEREOF**

Under section 73 of the Income Tax Act, 1981 (Act 24 of 1981), I hereby -

- (a) constitute an additional special court for hearing income tax appeals in terms of that section 73; and
- (b) appoint as members of the additional special court hereby constituted -
 - (i) accountant: Robinson, H.D. of Windhoek; and
 - (ii) representative of the commercial community: Brand, C.F.J. of Windhoek.

N. MBUMBA
MINISTER OF FINANCE

Windhoek, 3 November 1997

**MINISTRY OF WORKS, TRANSPORT
AND COMMUNICATION**

No. 224

1997

**COMMENCEMENT OF CROSS-BORDER
ROAD TRANSPORTATION ACT, 1996**

Under section 6 of the Cross-border Road Transportation Act, 1996 (Act 18 of 1996), I hereby determine that the Act shall come into operation on the date of the publication of this notice.

O.V. PLICHTA
**MINISTER OF WORKS, TRANSPORT
AND COMMUNICATION**

Windhoek, 4 November 1997

MINISTRY OF MINES AND ENERGY

No. 225

1997

**RESERVATION OF LAND FROM PROSPECTING AND MINING
OPERATIONS IN WINDHOEK DISTRICT, KHOMAS REGION:
MINERALS (PROSPECTING AND MINING) ACT, 1992**

Under the powers vested in me by section 122(1) of the Minerals (Prospecting and Mining) Act, 1992 (Act 33 of 1992), I hereby declare that no person other than the holder of a reconnaissance licence shall, notwithstanding anything to the contrary

contained in that Act or any other law, but subject to any right conferred upon the holder of any mining claim, exclusive prospecting licence, mineral deposit retention licence or mining licence by the Act before the date of this notice, and which exists on the date immediately before the date of this notice, carry on any prospecting or mining operations in, on or under any part of the land or area described in the Schedule.

A. TOIVO YA TOIVO

MINISTER OF MINES AND ENERGY

Windhoek, 01 August 1997

SCHEDULE

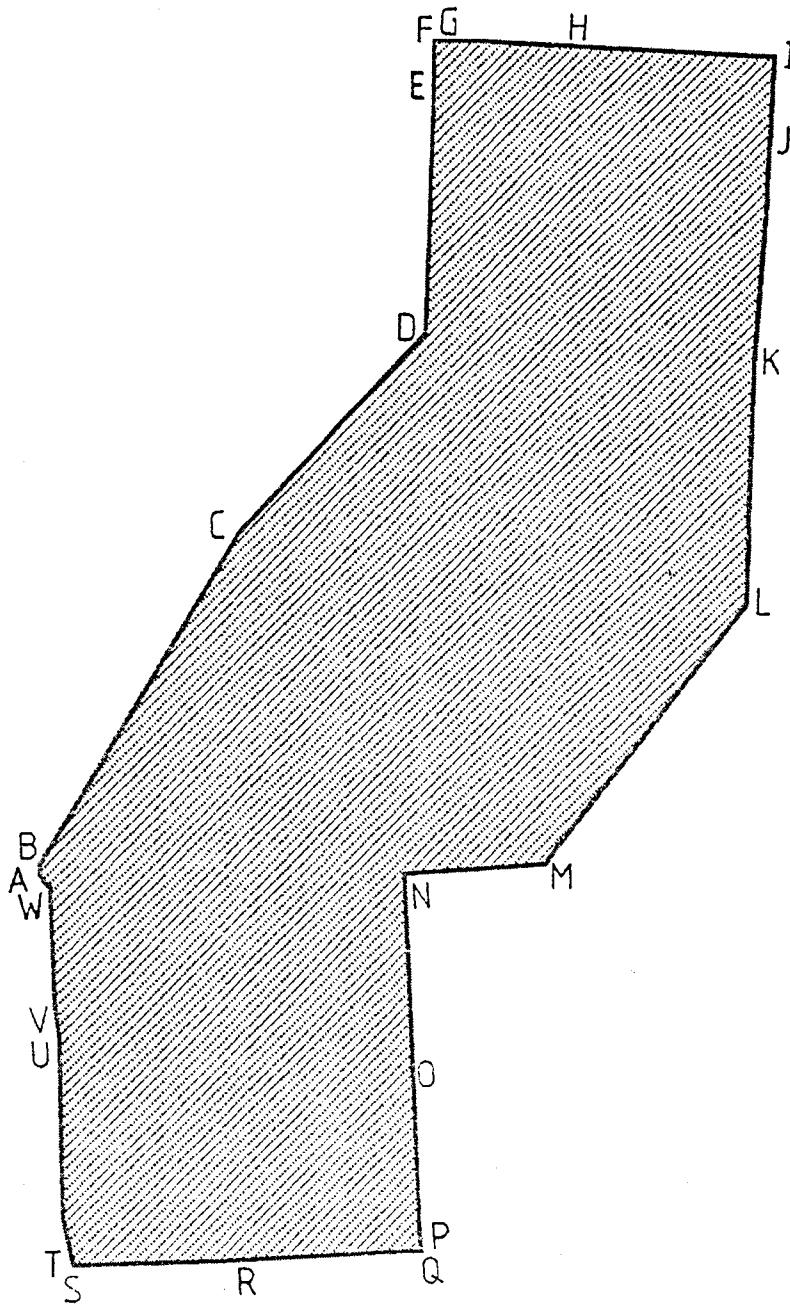
DESCRIPTION OF THE LAND

A certain area of land situated in the Khomas Region, Windhoek District, Registration Division "K", approximately 18 514.4 hectares in extent and more specifically, bounded by a series of co-ordinated points A to W inclusive as listed hereunder and as shown on the diagram of the area in question.

Co-ordinate System LO.22/15

POINT	X	Y
A	17.241	-22.359
B	17.241	-22.357
C	17.278	-22.300
D	17.314	-22.265
E	17.315	-22.228
F	17.315	-22.215
G	17.324	-22.215
H	17.346	-22.216
I	17.379	-22.217
J	17.378	-22.242
K	17.376	-22.270
L	17.375	-22.311
M	17.338	-22.356
N	17.311	-22.358
O	17.313	-22.391
P	17.315	-22.423
Q	17.312	-22.423
R	17.279	-22.425
S	17.248	-22.418
T	17.246	-22.418
U	17.245	-22.387
V	17.244	-22.381
W	17.243	-22.361

DIAGRAM



**MINISTRY OF REGIONAL AND LOCAL GOVERNMENT
AND HOUSING**

No. 226

1997

NARRAVILLE: EXTENSION OF BOUNDARIES

Under section 29(1) of the Townships and Division of Land Ordinance, 1963 (Ordinance No. 11 of 1963), I hereby extend the boundaries of the Township of Narraville to include Portion 142 (a portion of Portion B) of the farm Walvis Bay Town and Townlands no. 1, situated in the Registration Division "F" and represented by Cadastral Diagram A236/97, which shall at all times lie open to inspection at the office of the Surveyor-General, Windhoek, during normal office hours.

The property so included shall be known as erf 3001, Narraville.

N. IYAMBO
MINISTER OF REGIONAL AND LOCAL
GOVERNMENT AND HOUSING

Windhoek, 30 October 1997

**MINISTRY OF REGIONAL AND LOCAL GOVERNMENT
AND HOUSING**

No. 227

1997

NARRAVILLE: EXTENSION OF BOUNDARIES

Under section 29(1) of the Townships and Division of Land Ordinance, 1963 (Ordinance No. 11 of 1963), I hereby extend the boundaries of the Township of Narraville to include Portion 7 of the farm Wanderdünen no. 23, situated in the Registration Division "F" and represented by Cadastral Diagram A235/97 which shall at all times lie open to inspection at the office of the Surveyor-General, Windhoek, during normal office hours.

The property so included shall be known as erf 3002, Narraville.

N. IYAMBO
MINISTER OF REGIONAL AND LOCAL
GOVERNMENT AND HOUSING

Windhoek, 30 October 1997

**MINISTRY OF REGIONAL AND LOCAL GOVERNMENT
AND HOUSING**

No. 228

1997

**TAMARISKIA (EXTENSION 2): VARIATION
OF CONDITIONS OF ESTABLISHMENT**

In terms of paragraph (b) of the proviso to section 31A(2) of the Townships and Division of Land Ordinance, 1963 (Ordinance No. 11 of 1963), I hereby make known that I have under the said section 31(A)(2) of the said Ordinance varied the conditions contained in the Schedule to Proclamation No. 5 of 1979 as set out in the Schedule.

N. IYAMBO
MINISTER OF REGIONAL AND LOCAL
GOVERNMENT AND HOUSING

Windhoek, 29 October 1997

SCHEDULE

- (a) Paragraph 3 is hereby amended by the substitution in subparagraph (i) for the numbers "507, 541, 543, 577 and 579" of the numbers "507, 541, 577 and 579";
- (b) Paragraph 4 is hereby amended by the substitution in subparagraph B for the numbers "576, 578, 581 - 586" of the numbers "543, 576, 578, 581 to 586".

MINISTRY OF WORKS, TRANSPORT AND COMMUNICATION

No. 229

1997

REQUEST THAT A ROAD BE DECLARED A PROCLAIMED FARM ROAD (NO. 1608): DISTRICT OF GOBABIS: OMAHEKE REGION

In terms of section 17(1) of the Roads Ordinance, 1972 (Ordinance 17 of 1972), it is hereby made known that the Roads Board of Omaheke requests that, in the district of Gobabis, a farm road be proclaimed as described in the Schedule and shown on sketch-map P2014 by the symbols A-B.

A copy of this notice and the said sketch-map on which the road to which the request refers and other proclaimed, minor and private roads in the area are shown, shall for the full period of 30 days, mentioned below, lie open to inspection at the offices of the Permanent Secretary: Works, Transport and Communication, Windhoek, and the Roads Superintendent, Gobabis, during normal office hours.

Every person having any objection to the above-mentioned request is hereby commanded to lodge his or her objection in writing, with the grounds upon which it is based clearly and specifically therein stated, with the Chairperson of the Roads Board, Private Bag 12005, Ausspannplatz, within a period of 30 days from the date of publication of this notice.

SCHEDULE

From a point (A on sketch-map P2014) at the junction with district road 1841 on the farm Portion 1 (Cordova Noord) of Cordova 217 generally southwards across the said farm and the farm Cordova Suid 1016 to a point (B on sketch-map P2014) at the junction with district road 1639 on the last-mentioned farm.

MINISTRY OF WORKS, TRANSPORT AND COMMUNICATION

No. 230

1997

APPLICATION THAT A ROAD BE DECLARED A PROCLAIMED DISTRICT ROAD (NUMBER 3717): DISTRICT OF OPUWO: KUNENE REGION

In terms of section 16(3) of the Roads Ordinance, 1972 (Ordinance 17 of 1972), it is hereby made known that application has been made to the Chairperson of the Roads Board of Kunene that the road described in the Schedule and shown on sketch-map P2015 by the symbols A-B-C, be declared a district road (number 3717).

A copy of this notice and the said sketch-map of the area concerned on which the road to which the application refers and other proclaimed, minor and private roads in that area are shown, shall for the full period of thirty days, mentioned below, lie open to inspection at the offices of the Permanent Secretary: Works, Transport and Communication, Windhoek, and the Roads Superintendent, Outjo, during normal office hours.

Every person having any objection to the above-mentioned application is hereby commanded to lodge his or her objection in writing, with the grounds upon which it is based clearly and specifically therein stated, with the Chairperson of the Roads Boards, Private Bag 12005, Ausspannplatz, within a period of thirty days from the date of publication of this notice.

SCHEDULE

From a point (A on sketch-map P2015) at the junction with district road 3707 near a place called Okanamuwa generally northwards via the place called Ovikoro-Vyazongava and more and more north-westwards to a point (B on sketch-map P2015); thence generally westwards and more and more northwards to a point (C on sketch-map P2015) at the Tsongoari Exploration Mining Area.

MINISTRY OF WORKS, TRANSPORT AND COMMUNICATION

No. 231

1997

APPLICATION THAT A PORTION OF FARM ROAD 1717 BE DEVIATED: DISTRICT OF GOBABIS: OMAHEKE REGION

In terms of section 16(3) of the Roads Ordinance, 1972 (Ordinance 17 of 1972), it is hereby made known that application has been made to the Chairperson of the Roads Board of Omaheke that a portion of farm road 1717 described in paragraph (a) of the Schedule and shown on sketch-map P2013 by the symbols A-B, be deviated from the route so described and shown, to the route described in paragraph (b) of the Schedule and shown on sketch-map P2013 by the symbols B-C-D.

A copy of this notice and the said sketch-map on which the road to which the application refers and other proclaimed, minor and private roads in the area are shown, shall for the full period of 30 days, mentioned below, lie open to inspection at the offices of the Permanent Secretary: Works, Transport and Communication, Windhoek, and the Roads Superintendent, Gobabis, during normal office hours.

Every person having any objection to the above-mentioned application is hereby commanded to lodge his or her objection in writing, with the grounds upon which it is based clearly and specifically therein stated, with the Chairperson of the Roads Boards, Private Bag 12005, Ausspannplatz, within a period of 30 days from the date of publication of this notice.

SCHEDULE

- (a) From a point (A on sketch-map P2013) at the junction with main road 39 on the farm Portion C (Nabatsaub West) of Nabatsaub 71 generally eastwards across the said farm and the farm Nabatsaub 71 to a point (B on sketch-map P2013) on the last-mentioned farm.
 - (b) From a point (B on sketch-map P2013) on the farm Nabatsaub 71 generally south-south-westwards to a point (C on sketch-map P2013) at the east-south-eastern corner of the said farm; thence generally west-north-westwards across the said farm and the farm Portion C (Nabatsaub West) of Nabatsaub 71 to a point (D on sketch-map P2013) on main road 39 on the last-mentioned farm.
-

MINISTRY OF WORKS, TRANSPORT AND COMMUNICATION

No. 232

1997

**CHANGE OF NUMBER OF FARM ROAD 1239 TO FARM ROAD 1204:
DISTRICT OF REHOBOTH: HARDAP REGION**

It is hereby made known for general information that the number of farm road 1239 described in the Schedule and shown on sketch-map P2012 by the symbols A-B-C-D-E-F-G, has been changed to farm road 1204.

SCHEDULE

From a point (A on sketch-map P2012) at the junction with trunk road 1/4 on the farm Rehoboth Town and Townlands 302 generally north-eastwards to a point (B on sketch-map P2012) on the said farm; thence generally south-eastwards across the south-western corner of the farm Portion 57 of Rehoboth Town and Townlands 302 and the farm Rehoboth Town and Townlands 302 to a point (C on sketch-map P2012) on the last-mentioned farm; thence generally east-north-eastwards across the last-mentioned farm to a point (D on sketch-map P2012) on the last-mentioned farm; thence generally east-south-eastwards across the last-mentioned farm to a point (E on sketch-map P2012) near the south-eastern corner of the farm Portion 41 of Rehoboth Town and Townlands 302 on the farm Rehoboth Town and Townlands 302; thence generally south-south-eastwards across the last-mentioned farm to a point (F on sketch-map P2012) near the south-western corner of the farm Portion 43 of Rehoboth Town and Townlands 302 on the farm Rehoboth Town and Townlands 302; thence generally eastwards across the last-mentioned farm to a point (G on sketch-map P2012) on the common boundary of the last-mentioned farm and the farm Portion 37 of Rehoboth Town and Townlands 302.

MINISTRY OF WORKS, TRANSPORT AND COMMUNICATION

No. 233

1997

**APPLICATION AND PROPOSAL THAT PORTIONS OF FARM ROAD 2725
BE CLOSED: DISTRICT OF OUTJO: KUNENE REGION**

It is hereby made known -

- a) In terms of section 16(3) of the Roads Ordinance, 1972 (Ordinance 17 of 1972), that application has been made to the Chairperson of the Roads Board of Kunene that a portion of farm road 2725 described in Schedule I and shown on sketch-map P2016 by the symbols A-B be closed; and
- b) In terms of section 20(1) of the said Ordinance the Permanent Secretary: Works, Transport and Communication proposes that, in the district of Outjo, the portion of farm road 2725 described in Schedule II and shown on sketch-map P2016 by the symbols B-C be closed.

A copy of this notice and the said sketch-map on which the road to which the road to which the application refers and other proclaimed, minor and private roads in the area are shown, shall for the full period of 30 days mentioned below, lie open to inspection at the offices of the Permanent Secretary: Works, Transport and Communication, Windhoek, and the Roads Superintendent, Outjo, during normal office hours.

Every person having any objection to the above-mentioned application and proposal is hereby commanded to lodge his or her objection in writing, with the grounds upon which it is based clearly and specifically therein stated, with the Chairperson of the Roads Boards, Private Bag 12005, Ausspannplatz, within a period of 30 days from the date of publication of this notice.

SCHEDULE I

From a point (A on sketch-map P2016) at the junction with main road 65 on the farm Volunteer 106 generally northwards across the said farm to a point (B on sketch-map P2016) on the said farm.

SCHEDULE II

From a point (B on sketch-map P2016) on the farm Volunteer 106 generally northwards across the said farm to a point (C on sketch-map P2016) on the common boundary of the said farm and the farm Uranus 105.

General Notices

No. 304

1997

GOBABIS AMENDMENT SCHEME NO. 3

Notice is hereby given in terms of Section 23 of the Town Planning Ordinance 1954, (Ordinance 18 of 1954), as amended, that the Gobabis Amendment Scheme No. 3 has been submitted to the Minister of Regional and Local Government and Housing for approval.

Copies of the Gobabis Amendment Scheme No. 3 and the maps, plans, documents and other relevant matters are lying for inspection during office hours at the Gobabis Municipality and also at the Namibia Planning Advisory Board, City Centre Building, 8th Floor, Room 805, Windhoek.

Any person who wishes to object to the approval of the Amendment Scheme should lodge objections in writing to the Secretary, Namibia Planning Advisory Board (NAMPAB), Private Bag 13289, Windhoek on or before 15 December 1997.

No. 305

1997

OKAHANDJA AMENDMENT SCHEME NO. 1

Notice is hereby given in terms of Section 23 of the Town Planning Ordinance 1954, (Ordinance 18 of 1954), as amended, that the Okahandja Amendment Scheme No. 1 has been submitted to the Minister of Regional and Local Government and Housing for approval.

Copies of the Okahandja Amendment Scheme No. 1 and the maps, plans, documents and other relevant matters are lying for inspection during office hours at the Okahandja Municipality and also at the Namibia Planning Advisory Board, City Centre Building, 8th Floor, Room 805, Windhoek.

Any person who wishes to object to the approval of the Amendment Scheme should lodge objections in writing to the Secretary, Namibia Planning Advisory Board (NAMPAB), Private Bag 13289, Windhoek on or before 15 December 1997.

No. 306

1997

GROOTFONTEIN AMENDMENT SCHEME NO. 2

Notice is hereby given in terms of Section 23 of the Town Planning Ordinance 1954, (Ordinance 18 of 1954), as amended, that the Grootfontein Amendment Scheme No. 2 has been submitted to the Minister of Regional and Local Government and Housing for approval.

Copies of the Grootfontein Amendment Scheme No. 2 and the maps, plans, documents and other relevant matters are lying for inspection during office hours at the Grootfontein Municipality and also at the Namibia Planning Advisory Board, City Centre Building, 8th Floor, Room 805, Windhoek.

Any person who wishes to object to the approval of the Amendment Scheme should lodge objections in writing to the Secretary, Namibia Planning Advisory Board (NAMPAB), Private Bag 13289, Windhoek on or before 15 December 1997.

No. 307

1997

SWAKOPMUND AMENDMENT SCHEME NO. 9

Notice is hereby given in terms of Section 23 of the Town Planning Ordinance 1954, (Ordinance 18 of 1954), as amended, that the Swakopmund Amendment Scheme No. 9 has been submitted to the Minister of Regional and Local Government and Housing for approval.

Copies of the Swakopmund Amendment Scheme No. 9 and the maps, plans, documents and other relevant matters are lying for inspection during office hours at the Swakopmund Municipality and also at the Namibia Planning Advisory Board, City Centre Building, 8th Floor, Room 805, Windhoek.

Any person who wishes to object to the approval of the Amendment Scheme should lodge objections in writing to the Secretary, Namibia Planning Advisory Board (NAMPAB), Private Bag 13289, Windhoek on or before 15 December 1997.

LEONARDVILLE VILLAGE COUNCIL

No. 308

1997

WATER SUPPLY TARIFFS AND CHARGES

The Leonardville Village Council has under section 30(1)(u) of the Local Authorities Act, 1992 (Act 23 of 1992) determined the tariffs and charges for the supply of water as set out in the Schedule, with effect from 1 September 1997.

SCHEDULE**N\$****A. DEPOSITS**

- | | |
|---------------------------|---------------|
| (a) Residential customers | 50.00 |
| (b) All other customers | 150.00 |

B. CONNECTION FEES

(1m within erf boundary)

- | | | |
|-----|--|--|
| (a) | Residential (20mm standard
Kent Optima meter) | 250.00 |
| (b) | Business (50mm) | Actual cost + 15%
surcharge |

C. MONTHLY BASIC CHARGES

- | | | |
|-----|-------------|--------------|
| (a) | Residential | 15.00 |
| (b) | Business | 50.00 |

D. CONSUMPTION COST

- | | |
|-----------------|-------------|
| Per 1 000 litre | 2.16 |
|-----------------|-------------|

e. DEFECTIVE METERS

The testing of meters are free of charge where it is found that the meter has a defect. If found in sound working order, the customer must pay the actual cost of the test.

BY ORDER OF THE COUNCIL**G.B. NAWASEB****CHAIRPERSON OF THE COUNCIL**

Leonardville, 17 September 1997

STAMPRIET VILLAGE COUNCIL

No. 309

1997

WATER SUPPLY TARIFFS AND CHARGES

The Stampriet Village Council has under section 30(1)(u) of the Local Authorities Act, 1992 (Act 23 of 1992) determined the tariffs and charges for the supply of water as set out in the Schedule, with effect from 1 October 1997.

SCHEDULE**N\$****A.****DEPOSITS**

- | | | |
|-----|-----------------------|---------------|
| (a) | Residential customers | 50.00 |
| (b) | All other customers | 150.00 |

B. CONNECTION FEES

(1m within erf boundary)

- | | | |
|-----|--|--|
| (a) | Residential (20mm standard
Kent Optima meter) | 250.00 |
| (b) | Business (50mm) | Actual cost + 15%
surcharge |

C. MONTHLY BASIC CHARGES

- | | | |
|-----|-------------|--------------|
| (a) | Residential | 15.00 |
| (b) | Business | 50.00 |

D. CONSUMPTION COST

- | | |
|-----------------|-------------|
| Per 1 000 litre | 2.35 |
|-----------------|-------------|

E. DEFECTIVE METERS

The testing of meters are free of charge where it is found that the meter has a defect. If found in sound working order, the customer must pay the actual cost of the test.

**BY ORDER OF THE COUNCIL
J.T. UIRAB
CHAIRPERSON OF THE COUNCIL**

Stampriet, 29 September 1997

No. 310

1997

ESTABLISHMENT OF THE TOWNSHIP: OKONGO

Notice is hereby given in terms of subsection (5) of Section 5 of the Townships and Division of Land Ordinance, 1963 (Ordinance 11 of 1963) that application has been made for the establishment of the township Okongo situated on portion 1 of the Farm Okongo Townlands no. 994 and that the application is lying open to inspection at the office of the Division of Town and Regional Planning, 8th Floor, City Centre Building in Windhoek, the Surveyor General in Windhoek and the Regional Officer Ohangwena Regional Council.

Any person who wishes to object to the granting of the application or who desires to be heard in the matter, may give personal evidence before the Townships Board at the meeting of the Board which will be held on 10 February 1998 at 09:00 at the office of the Minister of Regional and Local Government and Housing, or submit written evidence to the Townships Board, Private Bag 13289, Windhoek: Provided that such written evidence shall reach the Secretary of the Townships Board not later than 10 February 1998.

**H.J.K. SMITH
ACTING CHAIRMAN: TOWNSHIPS BOARD**

No. 311

1997

ESTABLISHMENT OF THE TOWNSHIP: OMUNGWELUME

Notice is hereby given in terms of subsection (5) of Section 5 of the Townships and Division of Land Ordinance, 1963 (Ordinance 11 of 1963) that application has been made for the establishment of the township Omungwelum situated on portion 1 of the Farm Omungwelum Townlands no. 993 and that the application is lying open to inspection at the office of the Division of Town and Regional Planning, 8th Floor, City Centre Building in Windhoek, the Surveyor General in Windhoek and the Regional Officer Ohangwena Regional Council.

Any person who wishes to object to the granting of the application or who desires to be heard in the matter, may give personal evidence before the Townships Board at the meeting of the Board which will be held on 10 February 1998 at 09:00 at the office of the Minister of Regional and Local Government and Housing, or submit written evidence to the Townships Board, Private Bag 13289, Windhoek: Provided that such written evidence shall reach the Secretary of the Townships Board not later than 10 February 1998.

**H.J.K. SMITH
ACTING CHAIRMAN: TOWNSHIPS BOARD**

No. 312

1997

ESTABLISHMENT OF THE TOWNSHIP: ONGENGA

Notice is hereby given in terms of subsection (5) of Section 5 of the Townships and Division of Land Ordinance, 1963 (Ordinance 11 of 1963) that application has been made for the establishment of the township Ongenga situated on portion 1 of the Farm Ongenga Townlands no. 995 and that the application is lying open to inspection at the office of the Division of Town and Regional Planning, 8th Floor, City Centre Building in Windhoek, the Surveyor General in Windhoek and the Regional Officer Ohangwena Regional Council.

Any person who wishes to object to the granting of the application or who desires to be heard in the matter, may give personal evidence before the Townships Board at the meeting of the Board which will be held on 10 February 1998 at 09:00 at the office of the Minister of Regional and Local Government and Housing, or submit written evidence to the Townships Board, Private Bag 13289, Windhoek: Provided that such written evidence shall reach the Secretary of the Townships Board not later than 10 February 1998.

H.J.K. SMITH
ACTING CHAIRMAN: TOWNSHIPS BOARD

No. 313

1997

OSHAKATI TOWN PLANNING SCHEME

Notice is hereby given in terms of Section 17(1) of the Town Planning Ordinance, 1954 (Ordinance 18 of 1954) that the Council of Oshakati obtained approval from the Honourable Minister of Regional and Local Government and Housing to compile a Town Planning Scheme for Oshakati.

The Town Planning Scheme shall have for its general purpose a coordinated and harmonious development of the Local Authority area.

The Town Planning Scheme shall contain such provisions as may be deemed necessary or expedient for regulating, restricting or prohibiting the development of the Local Authority area. Land located within the Scheme Area shall be subject to the provisions of the Scheme.

Further take notice that a map defining the Scheme Area, is available for inspection between 08:00 and 16:30 at Room 15, Town Council Offices, Sam Nujoma Road, Oshakati.

Applicant: **OSHAKATI TOWN COUNCIL**

Private Bag 5530

OSHAKATI

Tel. (06751) 20805

ONGWEDIVA TOWN COUNCIL

No. 314

1997

LEVYING OF RATES ON RATEABLE PROPERTY 1997/8

The Town Council of Ongwediva under section 73(1) of the Local Authorities Act 1992 (Act 23 of 1992), determines the rates payable in respect of rateable properties for the year ending 30 June 1998 as set out below.

1. ALL ERVEN IN TOWN

On Land value:	N\$0,0219 p.a.
On Improvement value	N\$0,004886 p.a.

2. PROPERTIES ZONED FOR GOVERNMENT PURPOSES AND AGRICULTURE USES.

On Land value	N\$0,0232 p.a.
On Improvement value	N\$0,00445 p.a.

Monthly installments will be payable on or before the fifteenth day of the month following the month in which the levy was done.

N\$5.00 will be payable on amounts paid after the due date.

BY ORDER OF THE COUNCIL
P. KASHUUPULWA
CHAIRPERSON OF THE COUNCIL
ONGWEDIVA TOWN COUNCIL
PRIVATE BAG 5549
OSHAKATI

Ongwediva, 3 September 1997

MUNICIPALITY OF SWAKOPMUND

No. 315

1997

AMENDMENT OF TENDER REGULATIONS

The Council of the Town of Swakopmund, under section 30(1)(u) of the Local Authorities Act, 1992 (Act 23 of 1992) further amends the Tender Regulations promulgated under Government Notice 3 of 1973 as set out in the Schedule.

SCHEDULE

The insertion of sub-regulation 7(3)(i) and (ii) after sub-regulation 7(2).

- "7(3)(i) the official Post Office receipt shall be faxed together with the tender and a certified copy thereof shall be submitted with the written tender,
- (ii) certified copies be made of faxed quotations/informal tenders for record purposes."

BY ORDER OF THE COUNCIL
D.H. KAMHO
CHAIRMAN OF THE COUNCIL
OF SWAKOPMUND

Swakopmund, 13 October 1997

MUNICIPALITY OF WALVIS BAY

No. 316

1997

PERMANENT CLOSURE OF A STREET PORTION, WALVIS BAY

Notice is hereby given in terms of Section 50(3)(a)(ii) of the Local Authorities Act, 1992 (Act 23 of 1992), that the Council of the Municipality of Walvis Bay intends to permanently close the undermentioned portion as indicated on a plan which lies open for inspection during normal office hours at Room 214, Town Planning, Civic Centre, Walvis Bay:

A portion of The Esplanade, comprising of Erf 2033 Walvis Bay and a portion of Erf 1792 Walvis Bay adjacent to the Municipal Caravan Park.

Written objections against the proposed road closure are to be lodged in writing, together with the grounds thereof, to the undersigned on or before Monday, 24 November 1997.

**F. DU PREEZ
TOWN CLERK
CIVIC CENTRE
PRIVATE BAG 5017
WALVIS BAY**

MUNICIPALITY OF WALVIS BAY

No. 317

1997

CHARGES AND FEES IN RESPECT OF LIBRARY SERVICES

The Municipal Council of Walvis Bay, under section 30(1)(u) of the Local Authorities Act, 1992 (Act 23 of 1992), hereby determines the charges and fees payable in respect of Library Services, as set out in the Schedule:-

SCHEDULE

1. Tariffs payable in respect of books:-
 - (a) Outstanding books : N\$0,50 per book per week or part thereof.
 - (b) Reserved books : N\$2,00 per book.
 - (c) Inter-Library Material on loan : N\$6,00 per item.
2. Tariffs payable in respect of Library Halls:-
 - (a) Walvis Bay : N\$20,00 per hour.
 - (b) Kuisebmond : N\$10,00 per hour.
3. Sundry:-
 - (a) Temporary membership (Refundable) : N\$50,00 per person for six months or part thereof.
 - (b) Replacement of borrowers card : N\$5,00 per card.
 - (c) Photocopies : N\$0,50 per copy.

**BY ORDER OF THE COUNCIL
MANUEL DA CONCEICAO JARIMBA DE CASTRO
CHAIRPERSON OF THE COUNCIL**

Walvis Bay, 9 October 1997

MUNICIPALITY OF WINDHOEK

No. 318

1997

AMENDMENT OF HEALTH REGULATIONS

The Municipal Council of Windhoek, under section 30(1)(u) of the Local Authorities Act, 1992 (Act 23 of 1992) further amends the Health Regulations promulgated under Government Notice 285 of 1952 as set out in the Schedule.

SCHEDULE

1. By the substitution for paragraph (j) of Schedule C of the following:

"(j) Disposal of refuse at the Kupferberg Dumping Site by means of a vehicle other than municipal owned vehicles and sedan vehicles (including a sedan motor vehicle accompanied by a trailer):

Light delivery vans with a loading mass of 1500 kg and less N\$20,00

All other trucks and commercial vehicles N\$30,00

Provided that light delivery vans with a loading mass of 1500 kg and less will be exempted from payment of fees during the following hours:

Saturdays	13:00 - 17:00
Sundays	08:30 - 12:30"

**BY ORDER OF THE COUNCIL
MATHEUS KRISTOF SHIKONGO
CHAIRPERSON OF THE COUNCIL**

Windhoek, 14 August 1997

CITY OF WINDHOEK

No. 319

1997

**PERMANENT CLOSING OF PORTION G OF HOSEA KUTAKO DRIVE,
PORTION H OF ERF 5569 WINDHOEK, AND PORTION 1 OF
REGER STREET WINDHOEK, AS STREET**

Notice is hereby given in terms of article 50(3)(a)(ii) of the Local Authorities Act of 1992 (Act 23 of 1992) that the Municipality of Windhoek proposes to close permanently the undermentioned portions as indicated on the locality plan **P/3219/A REV 1**, which lies for inspection during office hours at the office of the Town Planner, Room 702, Municipal Offices, Independence Avenue.

**PERMANENT CLOSING OF PORTION G OF HOSEA KUTAKO DRIVE,
PORTION H OF ERF 5569 WINDHOEK, AND PORTION 1 OF REGER
STREET WINDHOEK, AS STREET**

Objections to the proposed closing are to be served on the Secretary: Townships Board, Private Bag 13289, and the Town Clerk, P.O. Box 59, Windhoek, within 14 days after the appearance of this notice in accordance with Article 50(1)(C) of the above Act.

**VINSON HAILULU
TOWN CLERK
WINDHOEK**

Windhoek, 16 October 1997