



GOVERNMENT GAZETTE

OF THE

REPUBLIC OF NAMIBIA

N\$0,80

WINDHOEK — 20 October 1994

No. 952

CONTENTS

	<i>Page</i>
TRADE MARKS	1

APPLICATIONS FOR REGISTRATION OF TRADE MARKS IN NAMIBIA

(Applications accepted in terms of Act No. 48 of 1973)

Any person who has grounds for objection to any of the following trade marks, may, within the prescribed time, lodge Notice of Opposition on form SM 6 contained in the Second Schedule to the Trade Marks Rules in Namibia, 1973. The prescribed time is two months after the date of advertisement. This period may on application be extended by the Registrar. Where the Gazette is issued late, the period of opposition will count as from the date of issue and a notice relating thereto will be displayed on the public notice board in the Trade Marks Registry.

Formal opposition should not be lodged until after notice has been given by letter to the applicant for registration so as to afford him an opportunity of withdrawing his application before the expense of preparing the Notice of Opposition is incurred. Failing such notice to the applicant an opponent may not succeed in obtaining an order for costs.

“B” preceding the number indicates Part B of the Trade Mark Register.

Neither the office mentioned hereunder nor Windhoek Printers & Publishers (Pty) Ltd., acting on behalf of the Government of Namibia, guarantee the accuracy of this publication or undertake any responsibility for errors or omissions or their consequences.

E.T. KAMBOUA
REGISTRAR OF TRADE MARKS FOR NAMIBIA

90/1467 in Class 25: Infants' and childrens' clothing; in the name of **BABY CENTRE (PROPRIETARY) LIMITED**, a South African Company of 2nd Floor, 81-87 Sir Lowry Road, Cape Town, Republic of South Africa.
Address for Service: MACROBERT DE VILLIERS LUNNON & TINDALL INC., 3rd Floor, Standard Bank Centre, 291 Church Street, Pretoria; c/o Van der Merwe-Greeff, 1st Floor, Kock & Schmidt Building, 26a Garten Street, Windhoek.

FILED: 8 NOVEMBER 1990

BABALA

Registration of this mark shall not debar other persons from the *bona fide* use in the ordinary course of trade of the word **BABA** in its ordinary signification and apart from the mark.

91/0154 in Class 38: "Services relating to radio network; teleprinting, communication services; telex services; telephone, telegraph and telematic services; communication and transmissions; electronic mailsystem; basis for electronic data interchange or electronic trading." In the name of **DEPARTMENT OF POST AND TELECOMMUNICATIONS** of Main Post Office Building, Cnr. Bosman & Vermeulen Street, Pretoria.

Address for Service: MACROBERT DE VILLIERS LUNNON & TINDALL, 501 United Building, 263 Andries Street, Pretoria.

TELKOM400

Registration of this mark shall give no right to the exclusive use of the numerals "4" and "0" separately from each other and apart from the mark.

Applicant admits that registration of the trade mark shall not debar other persons from the *bona fide* use in the ordinary course of trade of the word communication in its ordinary signification and apart from the mark.

Associated with 91/0153

91/0153 in Class 9: "Scientific, electrical and electronic apparatus and instruments, signalling, checking, life-saving and teaching apparatus and instruments; communication apparatus and instruments; telegraphs; telex and telephone apparatus and instruments, transmitters and receivers; teleprinters; teletypewriters; computer programmes; computer software and hardware; apparatus for computation; parts, components, fittings and accessories of the aforesaid." In the name of **DEPARTMENT OF POST AND TELECOMMUNICATIONS** of Main Post Office Building, Cnr. Bosman & Vermeulen Street, Pretoria.

Address for Service: MACROBERT DE VILLIERS LUNNON & TINDALL, 501 United Building, 263 Andries Street, Pretoria.

TELKOM400

Registration of this mark shall give no right to the exclusive use of the numerals "4" and "0" separately from each other and apart from the mark.

Applicant admits that registration of the trade mark shall not debar other persons from the *bona fide* use in the ordinary course of trade of the word communication in its ordinary signification and apart from the mark.

Associated with 91/0154

92/0078 in Class 33: Wines, Spirits and Liqueurs; in the name of **KO-OPERATIEWE WIJNKELDERS VAN ZUID-AFRIKA BEPERK** of La Concorde, Main Street, Paarl.
Address for Service: DYASON, Leoport, 451 Church Street East.

FILED: 21 JANUARY 1992

CAPE
CELLARS



Registration of this trade mark shall give no right to the exclusive use of the word "CELLARS" separately and apart from the mark.

Applicants undertake that, in use, the blank space appearing in the mark will be occupied only by matter of descriptive or non-distinctive character, or by a trade mark registered in the name of the applicant's in respect of the same goods or by a trade mark of which the applicant's are registered users, in respect of the same goods or by a trade mark of a registered user, with the consent of the applicants or the blank space will be left vacant.

Associated with 91/1004

91/1350 in Class 42: Retail, wholesale, marketing, distribution and general merchandising services (including such services related to the sale and supply of clothing; in the name of **MAILAN RETAILERS CC**, of 26 Main Road, Strand, Cape Province.

Address for Service: ENGLING, STRITTER & PARTNERS, 5th Floor, CDM Centre, Bülow Street, Windhoek.

FILED: 29 NOVEMBER 1991



Registration of this trade mark shall give no right to the exclusive use of the words PRICE and FACTORY SHOP apart from the mark.

Registration number of patent: 93/0003
Date received: 8 JANUARY 1993
Date of letters patent: 4 NOVEMBER 1993
Name of patentee(s): CSIR
Name of inventor(s): JEAN PIERRE PELLISSIER, DIRK JOHANN NEETHLING, GLADSTONE DAVIES
Title: Pumpable grout
Number of pages of application: 24

ABSTRACT

A pumpable, settable grout composition, usually of an essentially inorganic nature, comprising a cementitious and/or pozzolanic or equivalent binder and a matrix-forming filler or aggregate material comprising at least one fine component in the conventional particle size range for grout and optionally one or more coarse aggregate components, e.g. of gravel and gravellike consistency and further comprising an admixture of a fibrous modifying agent of up to 30% by weight of the total dry mixture, and water in an amount suitable to produce the required consistency.

Registration number of patent: 93/0047
Date received: 2 June 1993
Date of letters patent: 2 February 1994
Name of patentee(s): GERSAN ESTABLISHMENT
Name of inventors: MARIE-LINE ROONEY, JAMES GORDON CHARTERS SMITH, MARTIN PHILLIP SMITH, MARTIN COOPER
Title: Detecting diamonds in a rock sample
Number of pages of application: 32

ABSTRACT

In order to provide secure and simple detection of diamonds when prospecting, a rock sample is reduced to powder particles which are automatically checked to see if they contain diamond particles (30) by processing an image of X-radiation transmitted by a layer of the particles. The image may be processed by comparing it with a further image of visible light transmitted by the layer of particles.

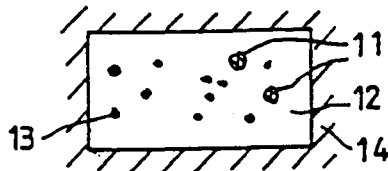
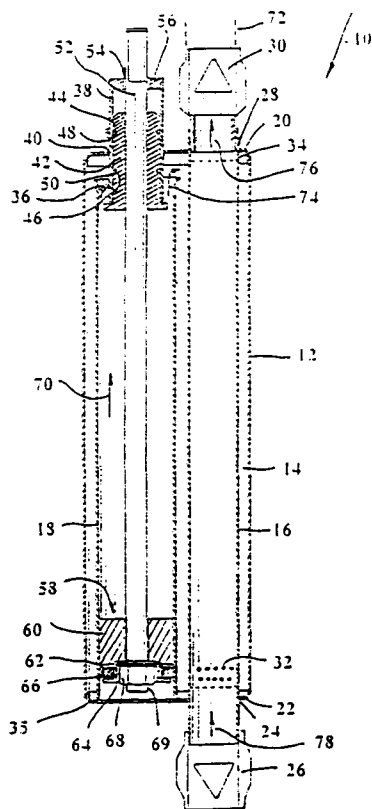


FIG. 3.

91/0097
5 November 1993
6 December 1993
PHILLIP FREDERICK LOCK STRAUSS
PUMPING ARRANGEMENT.

A pump unit includes a housing defining a chamber; a first cylinder provided in the housing and extending through both end covers of the housing; a first one-way valve provided at one end of the first cylinder; a second one-way valve provided at the other end of the first cylinder; at least one first aperture in the first cylinder leading into the chamber; a second cylinder provided in the housing; a piston rod extending through the second end cover of the housing into the second cylinder; a piston attached to the piston rod; at least one second aperture leading into the second cylinder from the chamber so that movement of the piston away from such second aperture(s) suction of liquid through the first one-way valve into the first cylinder, whilst the second one-way valve is closed, and movement of the piston in an apposite direction causes closure of the first one-way valve and opening of the second one-way valve for displacing liquid from the second cylinder through the second one-way valve to be discharged via a discharge pipe.



Registration number of patent: 92/0119

Date received: 2 December 1992

Date of letters patent: 22 January 1993

Name of patentee(s): CSIR

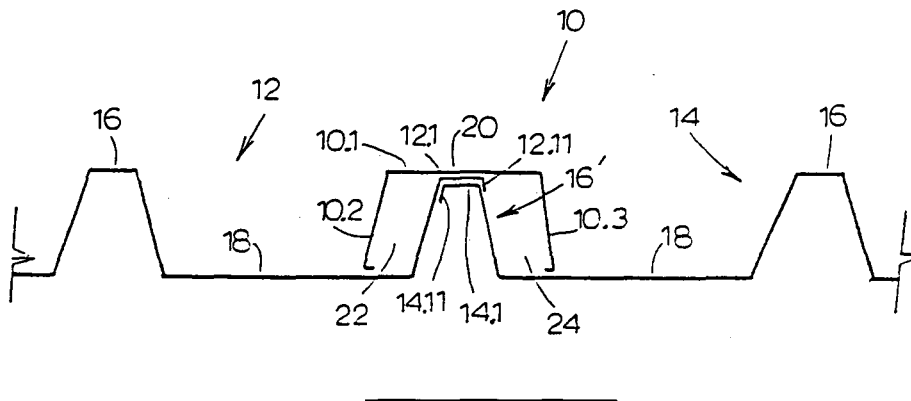
Name of inventors: NICOLAAS HENDRIK ARNOLD, KEITH WILLIAM BOWEN

Title: Accessory for a roof covering

Number of pages of application: 10

ABSTRACT

An accessory for a roof covering is disclosed which is suitable for at least partially separating rain water from solids present on the roof and for allowing the rain water to be drained through a passage formed between the accessory and the roof covering, which is substantially free of solids. The accessory comprises a cover having a profile which is generally of inverted channel shape and has at least one side panel adapted, in use, to be located in spaced relationship from the surface of at least one of the crowns of the roof covering.



Registration number of patent: 93/0023

Date received: 19 March 1993

Date of letters patent: 10 August 1993

Name of patentee(s): FORSCHUNGSZENTURM JÜLICH GmbH

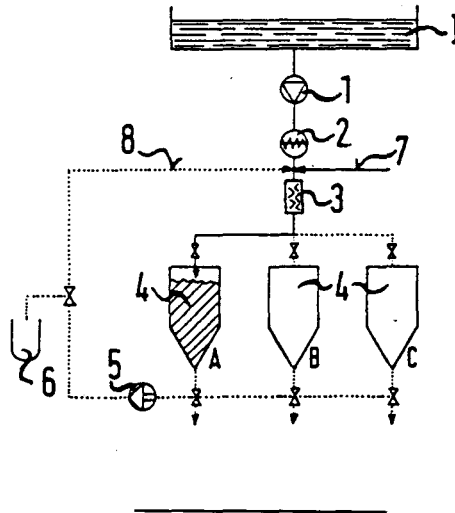
Name of inventors: DRAGOLJUB BILANOVIC, FRIEDRICH-HELMUTH MOHN

Title: Process for recovering valuable substances, in particular carotinoids from algae and installations suitable therefor

Number of pages of application: 12

ABSTRACT

The recovery of valuables, in particular carotinoids from seawater algae such as specifically *Dunaliella*, is attained by extraction of the valuable substance from the brine culture without preceding enrichment of the biomass, care being taken before or during the extraction that an adequate liberation of the valuable from the algae is brought about by the application of adequate shear forces. In particular β -carotin, starting from brine cultures of *Dunaliella* may be extracted using an oil allowed for food purposes in an amount of preferably between 1 and 10% based on the brine culture. Preferably brine cultures having a salt concentration of 18 to 30% in particular 22 to 28% of salt are processed. Preferably the oil which is dispersed using a high speed colloid mill with simultaneous maceration of the algae (after phase separation has taken place) is recycled to the extraction stage with progressive enrichment of the valuable substance in the solution.



Registration number of patent: 93/0109

Date received: 28 October 1993

Date of letters patent: 25 January 1994

Name of patentee(s): CSIR

Name of inventors: NICOLAAS HENDRIK ARNOLD, MARTHINUS SAMUEL SMIT

Title: Sealing washer

Number of pages of application: 12

ABSTRACT

A sealing washer having a bore through which a roof fastening member may be passed. The physical properties and shape of at least a portion of the washer may be selected such that when opposing forces are applied to the washer in an axial direction, the washer is elastically deformed towards the bore so as to decrease the diameter thereof and to cause the washer to seal against the fastening member extending through the bore and having a diameter which is at most substantially the same as that of the bore.

