



GOVERNMENT GAZETTE

OF THE

REPUBLIC OF NAMIBIA

N\$1,90

WINDHOEK — 30 September 1994

No. 939

CONTENTS

	<i>Page</i>
TRADE MARKS	1

APPLICATIONS FOR REGISTRATION OF TRADE MARKS IN NAMIBIA (Applications accepted in terms of Act No. 48 of 1973)

Any person who has grounds for objection to any of the following trade marks, may, within the prescribed time, lodge Notice of Opposition on form SM 6 contained in the Second Schedule to the Trade Marks Rules in Namibia, 1973. The prescribed time is two months after the date of advertisement. This period may on application be extended by the Registrar. Where the Gazette is issued late, the period of opposition will count as from the date of issue and a notice relating thereto will be displayed on the public notice board in the Trade Marks Registry.

Formal opposition should not be lodged until after notice has been given by letter to the applicant for registration so as to afford him an opportunity of withdrawing his application before the expense of preparing the Notice of Opposition is incurred. Failing such notice to the applicant an opponent may not succeed in obtaining an order for costs.

“B” preceding the number indicates Part B of the Trade Mark Register.

Neither the office mentioned hereunder nor Windhoek Printers & Publishers (Pty) Ltd., acting on behalf of the Government of Namibia, guarantee the accuracy of this publication or undertake any responsibility for errors or omissions or their consequences.

E.T. KAMBOUA
REGISTRAR OF TRADE MARKS FOR NAMIBIA

91/1395 in Class 35: Advertising and business; in the name of **TYCON (PTY) LIMITED**, of 117 Prospect RD, Walmer, Port Elizabeth, South Africa. Address for Service: PAGDENS, c/o Fisher, Quarmby & Pfeifer, 108 S.W.A.B.S. Building, Post Street, Windhoek.

FILED: 9 DECEN.BFR 1991

TYCON

90/1473 in Class 23: Yarns, threads; in the name of **HOECHST AKTIENGESELLSCHAFT**, a German Company of Brüningstrasse 50, 6230 Frankfurt am Main 80, Federal Republic of Germany.

Address for Service: MACROBERT DE VILLIERS LUNNON & TINDALL INC., 3rd Floor, Standard Bank Centre, 291 Church Street, Pretoria; c/o Van der Merwe-Greeff, 1st Floor, Kock & Schmidt Building, 26a Garten Street, Windhoek.

FILED: 8 NOVEMBER 1990

HOECHST

Associated with Trade Mark No. 90/1470

90/1472 in Class 17: Gutta percha, india rubber, balata and substitutes, articles made from these substances and not included in other classes; materials for packing, stopping or insulating; asbestos, mica and their products; hose pipes (non-metallic); in the name of **HOECHST AKTIENGESELLSCHAFT**, a German Company of Brüningstrasse 50, 6230 Frankfurt am Main 80, Federal Republic of Germany.

Address for Service: MACROBERT DE VILLIERS LUNNON & TINDALL INC., 3rd Floor, Standard Bank Centre, 291 Church Street, Pretoria; c/o Van der Merwe-Greeff, 1st Floor, Kock & Schmidt Building, 26a Garten Street, Windhoek.

FILED: 8 NOVEMBER 1990

HOECHST

Associated with Trade Mark No. 90/1473

90/1471 in Class 5: Pharmaceutical, veterinary and sanitary substances, infants' and invalids' foods; plasters, material for bandaging; material for stopping teeth, dental wax; disinfectants; preparations for killing weeds and destroying vermin; in the name of **HOECHST AKTIENGESELLSCHAFT**, a German Company of Brüningstrasse 50, 6230 Frankfurt am Main 80, Federal Republic of Germany.

Address for Service: MACROBERT DE VILLIERS LUNNON & TINDALL

INC., 3rd Floor, Standard Bank Centre, 291 Church Street, Pretoria; c/o Van der Merwe-Greeff, 1st Floor, Kock & Schmidt Building, 26a Garten Street, Windhoek.

FILED: 8 NOVEMBER 1990

HOECHST

Associated with Trade Mark No. 90/1472

91/0105 in Class 2: Paints, varnishes, lacquers; preservatives against rust and against deterioration of wood; colourants; mordants; raw natural resins; metals in foil and powder form for painters, decorators, printers and artists, in the name of **AEROLAK AFRICA (PROPRIETARY) LIMITED**, a South African company of ACCESS CITY, 5 Beacon Road, NEW DOORNFONTEIN, JOHANNESBURG, TRANSVAAL.

Address for Service: SPOOR & FISHER, Standard Bank Chambers, Independence Avenue, Windhoek.

FILED: 29 JANUARY 1991

SPRAYMATCH

Registration of this mark shall give no right to the exclusive use of the word MATCH, separately and apart from the mark.

Applicants undertake that in use the mark will be applied only to goods in spray and/or aerosol form.

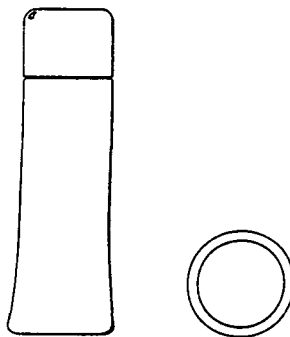
91/0198 in Class 3: Soaps, detergents; perfumes, cosmetics, essential oils; non-medicated toilet preparations, non-medicated preparations for the skin, preparations for the hair, dentifrices; anti-perspirants, deodorants for personal use; in the name of **UNILEVER PLC**, a British company of Port Sunlight, Wirral, Merseyside, England.

Address for Service: SPOOR & FISHER, Standard Bank Chambers, Independence Avenue, Windhoek.

FILED: 5 MARCH 1991

The mark consists of a container for goods.

Associated with 91/0199



91/0199 in Class 3: Soaps, detergents; perfumes, cosmetics, essential oils; non-medicated toilet preparations, non-medicated preparations for the skin, preparations for the hair, dentifrices; anti-perspirants, deodorants for personal use; in the name of **UNILEVER PLC**, a British company of Port Sunlight, Wirral, Merseyside, England.

Address for Service: SPOOR & FISHER, Standard Bank Chambers, Independence Avenue, Windhoek.

FILED: 5 MARCH 1991

The mark consists of a container for goods.

Associated with 91/0198



91/0009 in Class 9: Scientific, nautical, surveying, electric, photographic, cinematographic, optical, weighing, measuring, signalling, checking (supervision), life-saving and teaching apparatus and instruments; apparatus for recording, transmission or reproduction of sound or images; magnetic data carries, recording discs, automatic vending machines and mechanisms for coin operated apparatus; cash registers, calculating machines and data processing equipment, fire-extinguishing apparatus; in the name of **HALLMARK SECURITIES (PROPRIETARY) LIMITED**, a South African company of 9th Floor, 94 President Street, Johannesburg, Transvaal.

Address for Service: SPOOR & FISHER, Standard Bank Chambers, Independence Avenue, Windhoek.

FILED: 2 JANUARY 1991

HALLMARK

Associated with 91/0010

91/0226 in Class 11: Instruments, equipment, apparatus and installations for lighting, heating, steam generating, cooking, refrigeration, drying, ventilating, water supply and sanitary purposes, heating panels, heaters, heating materials, outdoor gas equipment and gas cylinders and parts, fittings and accessories therefor, in the name of **DARBEL (PROPRIETARY) LIMITED**, a South African company of 2 Johnson Street, Alrode Extension 4, Alberton, Transvaal.

Address for Service: SPOOR & FISHER, Standard Bank Chambers, Independence Avenue, Windhoek.

FILED: 13 MARCH 1991

GASLUX

Applicant undertakes that the mark will only be used in relation to gas operated goods.

91/0010 in Class 14: Precious metals and their alloys and goods in precious metals or coated therewith, not included in other classes; jewellery, precious stones; horological and chronometric instruments; in the name of **HALLMARK SECURITIES (PROPRIETARY) LIMITED**, a South African company of 9th Floor, 94 President Street, Johannesburg, Transvaal.

Address for Service: SPOOR & FISHER, Standard Bank Chambers, Independence Avenue, Windhoek.

FILED: 2 JANUARY 1991

HALLMARK

Associated with 91/0011

90/0355 in Class 16: Paper, cardboard and goods made from these materials; not included in other classes; printed matter; bookbinding material; photographs; stationery; office requisites (except furniture); instructional and teaching material (except apparatus); playing cards; competitions; in the name of **GOLDEN GRID PLC**, a British company of Knightrider House, Knightrider Street, London EC4V 5BH.

Address for Service: SPOOR & FISHER, Standard Bank Chambers, Independence Avenue, Windhoek.

FILED: 29 MARCH 1990

SKILBALL

Associated with 90/0356

91/0011 in Class 18: Leather and imitations of leather, and goods made of these materials and not included in other classes, animal skins, hides; trunks and travelling bags, umbrellas, parasols and walking sticks, whips, harness and saddlery; in the name of **HALLMARK SECURITIES (PROPRIETARY) LIMITED**, a South African company of 9th Floor, 94 President Street, Johannesburg, Transvaal.

Address for Service: SPOOR & FISHER, Standard Bank Chambers, Independence Avenue, Windhoek.

FILED: 2 JANUARY 1991

HALLMARK

Associated with 91/0014

91/0014 in Class 35: Advertising and business; in the name of **HALLMARK SECURITIES (PROPRIETARY) LIMITED**, a South African company of 9th Floor, 94 President Street, Johannesburg, Transvaal.
Address for Service: SPOOR & FISHER, Standard Bank Chambers, Independence Avenue, Windhoek.

FILED: 2 JANUARY 1991

HALLMARK

Associated with 91/0015

91/0015 in Class 36: Insurance and financial; in the name of **HALLMARK SECURITIES (PROPRIETARY) LIMITED**, a South African company of 9th Floor, 94 President Street, Johannesburg, Transvaal.
Address for Service: SPOOR & FISHER, Standard Bank Chambers, Independence Avenue, Windhoek.

FILED: 2 JANUARY 1991

HALLMARK

Associated with 91/0016

91/0016 in Class 37: Construction and repair; in the name of **HALLMARK SECURITIES (PROPRIETARY) LIMITED**, a South African company of 9th Floor, 94 President Street, Johannesburg, Transvaal.
Address for Service: SPOOR & FISHER, Standard Bank Chambers, Independence Avenue, Windhoek.

FILED: 2 JANUARY 1991

HALLMARK

Associated with 91/0009

91/0252 in Class 1: Chemical products used in industry, science, photography, agriculture, horticulture, forestry; artificial and synthetic resins; plastics in the form of powders, liquids or pastes; cement included in this class; manures (natural and artificial); fire-extinguishing compositions, tempering substances and chemical preparations for soldering; chemical substances for preserving foodstuffs; tanning substances; adhesive substances used in industry; in the name of **TRANS HEX MYNBOU BEPERK**, of Voortrekkerweg 405, Parow, 7500.
Address for Service: SPOOR & FISHER, Standard Bank Chambers, Independence Avenue, Windhoek.

FILED: 20 MARCH 1991

PREMIER WHITE CEMENT

Registration of this trade mark shall give no right to the exclusive use of the word **WHITE** separately and apart from the mark.

Applicants undertake that the descriptive word **CEMENT** will vary in use.

Associated with 91/0253

91/0087 in Class 1: Chemicals included in the class; resins and plastics included in the class; adhesives; fire extinguishing compositions; in the name of **ENGEN PETROLEUM LIMITED**, a South African company of Engen Court, Thibault Square, Cape Town.

Address for Service: SPOOR & FISHER, Standard Bank Chambers, Independence Avenue, Windhoek.

FILED: 29 JANUARY 1991

ENGEN

Associated with 91/0088

91/0088 in Class 2: Paints, varnishes, lacquers; preservatives; colourants, mordants; resins and metals included in the class; in the name of **ENGEN PETROLEUM LIMITED**, a South African company of Engen Court, Thibault Square, Cape Town.

Address for Service: SPOOR & FISHER, Standard Bank Chambers, Independence Avenue, Windhoek.

FILED: 29 JANUARY 1991

ENGEN

Associated with 91/0089

91/0089 in Class 3: Cleaning, polishing, scouring and abrasive preparations; substances for laundry use; toiletries; in the name of **ENGEN PETROLEUM LIMITED**, a South African company of Engen Court, Thibault Square, Cape Town.

Address for Service: SPOOR & FISHER, Standard Bank Chambers, Independence Avenue, Windhoek.

FILED: 29 JANUARY 1991

ENGEN

Associated with 91/0090

91/0090 in Class 4: Industrial oils and greases, lubricants, dust absorbing, wetting and binding compositions; fuels (including motor spirits) and illuminants; candles, wicks; in the name of **ENGEN PETROLEUM LIMITED**, a South African company of Engen Court, Thibault Square, Cape Town.
Address for Service: SPOOR & FISHER, Standard Bank Chambers, Independence Avenue, Windhoek.

FILED: 29 JANUARY 1991

ENGEN

Applicants admit that registration of this trade mark shall not debar others from the *bona fide* descriptive use in the ordinary course of trade of the word "ENGIN".

Associated with 91/0088

91/0121 in Class 5: Pharmaceutical, veterinary and sanitary preparations; dietetic substances adapted for medical use, food for babies; plasters, materials for dressing; material for stopping teeth, dental wax; disinfectants for human use; in the name of **BAKER NORTON PHARMACEUTICALS, INC.**, a Florida corporation of 8800 N.W. 36th Street, Miami, Florida, United States of America.
Address for Service: SPOOR & FISHER, Standard Bank Chambers, Independence Avenue, Windhoek.

FILED: 5 FEBRUARY 1991

DORMÉ

91/0177 in Class 5: Pharmaceutical, veterinary and sanitary substances; infants' and invalids' foods; plasters, material for bandaging; material for stopping teeth, dental wax; disinfectants (not for laying or absorbing dust); in the name of **SWISS-PHARM (PROPRIETARY) LIMITED**, a South African company, 8th Floor Nedbank Gardens, 33 Bath Avenue, Rosebank, Republic of South Africa.
Address for Service: SPOOR & FISHER, Standard Bank Chambers, Independence Avenue, Windhoek.

FILED: 28 FEBRUARY 1991

SWISSPHARM

Registration of this trade mark shall give no right to the exclusive use of the word **SWISS** separately and apart from the mark.

91/0178 in Class 5: Pharmaceutical, veterinary and sanitary substances; infants' and invalids' foods; plasters, material for bandaging; material for stopping teeth, dental wax; disinfectants (not for laying or absorbing dust); in the name of **SWISS-PHARM (PROPRIETARY) LIMITED**, a South African company, 8th Floor Nedbank Gardens, 33 Bath Avenue, Rosebank, Republic of South Africa.
Address for Service: SPOOR & FISHER, Standard Bank Chambers, Independence Avenue, Windhoek.

FILED: 28 FEBRUARY 1991

SWISS-KAL

Registration of this trade mark shall give no right to the exclusive use of the word SWISS separately and apart from the mark.

91/0091 in Class 5: Pharmaceutical preparations and other substances for medical use; plasters, materials for dressing; disinfectants; pesticides, fungicides and herbicides; in the name of **ENGEN PETROLEUM LIMITED**, a South African company of Engen Court, Thibault Square, Cape Town.
Address for Service: SPOOR AND FISHER, Standard Bank Chambers, Independence Avenue, Windhoek.

FILED: 29 JANUARY 1991

ENGEN

Associated with 91/0092

91/0155 in Class 7: Machines and machine tools, motors (except for land vehicles); machine coupling and belting (except for land vehicles); agricultural implements; in the name of **SAAB-SCANIA AKTIEBOLAG**, a Swedish company 151 87 Sodertalje, Sweden.
Address for Service: SPOOR & FISHER, Standard Bank Chambers, Independence Avenue, Windhoek.

FILED: 19 FEBRUARY 1991

SCANIA

Associated with 91/0174 and 78/0908

91/0224 in Class 7: Agricultural and horticultural implements and machinery; lawnmowers; lawnmower blades; parts, fittings and accessories and components therefor; in the name of **ASUS AKTIENGESELLSCHAFT**, a Swiss company of 8750 Glarus, Im Buhl 12, Switzerland.

Address for Service: SPOOR & FISHER, Standard Bank Chambers, Independence Avenue, Windhoek.

FILED: 13 MARCH 1991

WOLF TOOLS

Registration of this trade mark shall give no right to the use of the word **WOLF** in its significance as a surname, separately and apart from the mark as a whole.

Associated with 91/0223

91/0223 in Class 8: Hand tools and implements (hand operated); hardware tools, including shifting spanners, screw drivers, chisels and hammers; cutlery; side arms; razors; parts, fittings, accessories and components therefor; in the name of **ASUS AKTIENGESELLSCHAFT**, a Swiss company of 8750 Glarus, Im Buhl 12, Switzerland.

Address for Service: SPOOR & FISHER, Standard Bank Chambers, Independence Avenue, Windhoek.

FILED: 13 MARCH 1991

WOLF TOOLS

Registration of this trade mark shall give no right to the use of the word **WOLF** in its significance as a surname, separately and apart from the mark as a whole.

Associated with 91/0224

91/0227 in Class 11: Instruments, equipment, apparatus and installations for lighting, heating, steam generating, cooking, refrigerating, drying, ventilating, water supply and sanitary purposes, heating panels, heaters, heating materials and parts, fittings and accessories therefor; in the name of **DARBEL (PROPRIETARY) LIMITED**, a South African company of 2 Johnson Street, Alrode Extension 4, Alberton, Transvaal.

Address for Service: SPOOR & FISHER, Standard Bank Chambers, Independence Avenue, Windhoek.

FILED: 13 MARCH 1991

CAPIL

Associated with 84/0449

91/0174 in Class 12: Vehicles; apparatus for locomotion by land and water; in the name of **SAAB-SCANIA AKTIEBOLAG**, a Swedish company of 151 87 Sodertalje, Sweden.

Address for Service: SPOOR & FISHER, Standard Bank Chambers, Independence Avenue, Windhoek.

FILED: 26 FEBRUARY 1991

SCANIA

Associated with 91/0155

91/0092 in Class 12: Vehicles; apparatus for locomotion by land, air or water; parts of and fittings and accessories for the foregoing; in the name of **ENGEN PETROLEUM LIMITED**, a South African company of Engen Court, Thibault Square, Cape Town.

Address for Service: SPOOR & FISHER, Standard Bank Chambers, Independence Avenue, Windhoek.

FILED: 29 JANUARY 1991

ENGEN

Applicants admit that registration of this trade mark shall not debar other from the *bona fide* descriptive use in the ordinary course of trade of the word "ENGIN".

Associated with 91/0093

91/0093 in Class 14: Precious metals and their alloys and goods in precious metals or coated therewith, not included in other classes; jewellery, precious stones; horological and chronometric instruments; in the name of **ENGEN PETROLEUM LIMITED**, a South African company of Engen Court, Thibault Square, Cape Town.

Address for Service: SPOOR & FISHER, Standard Bank Chambers, Independence Avenue, Windhoek.

FILED: 29 JANUARY 1991

ENGEN

Associated with 91/0094

91/0094 in Class 16: Paper, cardboard and goods made from these materials; printed matter; photographs; stationery; adhesives; instructional and teaching material; plastic materials; playing cards; office requisites; in the name of **ENGEN PETROLEUM LIMITED**, a South African company of Engen Court, Thibault Square, Cape Town.

Address for Service: SPOOR & FISHER, Standard Bank Chambers, Independence Avenue, Windhoek.

FILED: 29 JANUARY 1991

ENGEN

Associated with 91/0095

91/0095 in Class 18: Leather and imitations of leather and goods made from these materials; trunks and bags; umbrellas, parasols and walking sticks; in the name of **ENGEN PETROLEUM LIMITED**, a South African company of Engen Court, Thibault Square, Cape Town.

Address for Service: SPOOR & FISHER, Standard Bank Chambers, Independence Avenue, Windhoek.

FILED: 29 JANUARY 1991

ENGEN

Associated with 91/0096

91/0253 in Class 19: Building materials, natural and artificial stone, cement, lime, mortar, plaster and gravel; pipes of earthenware or cement; road making materials; asphalt, pitch and bitumen; portable buildings; stone monuments; chimney pots; in the name of **TRANS HEX MYNBOU BEPERK**, of Voortrekkerweg 405, Parow, 7500.

Address for Service: SPOOR & FISHER, Standard Bank Chambers, Independence Avenue, Windhoek.

FILED: 20 MARCH 1991

PREMIER WHITE CEMENT

Registration of this trade mark shall give no right to the exclusive use of the word **WHITE** separately and apart from the mark.

Applicants undertake that the descriptive word **CEMENT** will vary in use.

Associated with 91/0253

91/0096 in Class 19: Building materials (non-metallic); non-metallic rigid pipes for building; asphalt, pitch and bitumen; non-metallic transportable buildings, monuments not of metal; in the name of **ENGEN PETROLEUM LIMITED**, a South African company of Engen Court, Thibault Square, Cape Town.
Address for Service: SPOOR & FISHER, Standard Bank Chambers, Independence Avenue, Windhoek.

FILED: 29 JANUARY 1991

Associated with 91/0097

ENGEN

91/0097 in Class 21: Containers; household or kitchen utensils; combs and sponges; brushes and brush-making materials, articles for cleaning purposes; steelwool; glass; glassware, porcelain and earthenware; in the name of **ENGEN PETROLEUM LIMITED**, a South African company of Engen Court, Thibault Square, Cape Town.

Address for Service: SPOOR & FISHER, Standard Bank Chambers, Independence Avenue, Windhoek.

FILED: 29 JANUARY 1991

Associated with 91/0098

ENGEN

91/0098 in Class 24: Textiles and textile goods; bed and table covers; in the name of **ENGEN PETROLEUM LIMITED**, a South African company of Engen Court, Thibault Square, Cape Town.

Address for Service: SPOOR & FISHER, Standard Bank Chambers, Independence Avenue, Windhoek.

FILED: 29 JANUARY 1991

Associated with 91/0099

ENGEN

90/0119 in Class 25: Clothing, footwear, headgear; in the name of **PRINGLE OF SCOTLAND LIMITED**, a Scottish company of Victoria Mill, Hawick, Scotland, TD9 7AL.

Address for Service: SPOOR & FISHER, Standard Bank Chambers, Independence Avenue, Windhoek.

FILED: 6 FEBRUARY 1990

PRINGLE

Associated with 90/0118

91/0099 in Class 25: Clothing, footwear, headgear; in the name of **ENGEN PETROLEUM LIMITED**, a South African company of Engen Court, Thibault Square, Cape Town.

Address for Service: SPOOR & FISHER, Standard Bank Chambers, Independence Avenue, Windhoek.

FILED: 29 JANUARY 1991

Associated with 91/0100

ENGEN

91/0100 in Class 26: Accessories for clothing; accessories for personal use; lace and embroidery, ribbons and braid; buttons, hooks and eyes, pins and needles; artificial flowers; in the name of **ENGEN PETROLEUM LIMITED**, a South African company of Engen Court, Thibault Square, Cape Town.

Address for Service: SPOOR & FISHER, Standard Bank Chambers, Independence Avenue, Windhoek.

FILED: 29 JANUARY 1991

Associated with 91/0101

ENGEN

91/0101 in Class 28: Games and playthings; gymnastic and sporting articles; in the name of **ENGEN PETROLEUM LIMITED**, a South African company of Engen Court, Thibault Square, Cape Town.

Address for Service: SPOOR & FISHER, Standard Bank Chambers, Independence Avenue, Windhoek.

FILED: 29 JANUARY 1991

Associated with 91/0102

ENGEN

91/0251 in Class 32: Mineral and aerated waters and other non-alcoholic drinks including a protein, mineral, vitamin supplemented drink; fruit drinks and fruit juices; syrups and other preparations for making beverages; in the name of **THE TONGAAT HULETT GROUP LIMITED**, a South African company of Amanzimnyama Hill, Tongaat, Natal.

Address for Service: SPOOR & FISHER, Standard Bank Chambers, Independence Avenue, Windhoek.

FILED: 20 MARCH 1991

CAPROVITE

91/0102 in Class 37: Service for, in connection with or relating to construction and repair; in the name of **ENGEN PETROLEUM LIMITED**, a South African company of Engen Court, Thibault Square, Cape Town.
Address for Service: SPOOR & FISHER, Standard Bank Chambers, Independence Avenue, Windhoek.

FILED: 29 JANUARY 1991

ENGEN

Applicants admit that registration of this trade mark shall not debar others from the *bona fide* descriptive use in the ordinary course of trade of the word "Engine".

Associated with 91/0103

91/0103 in Class 39: Services for, in connection with or relating to transportation and storage; in the name of **ENGEN PETROLEUM LIMITED**, a South African company of Engen Court, Thibault Square, Cape Town.
Address for Service: SPOOR & FISHER, Standard Bank Chambers, Independence Avenue, Windhoek.

FILED: 29 JANUARY 1991

ENGEN

Applicants admit that registration of this trade mark shall not debar others from the *bona fide* descriptive use in the ordinary course of trade of the word "Engine".

Associated with 91/0104

91/0097

5 November 1993

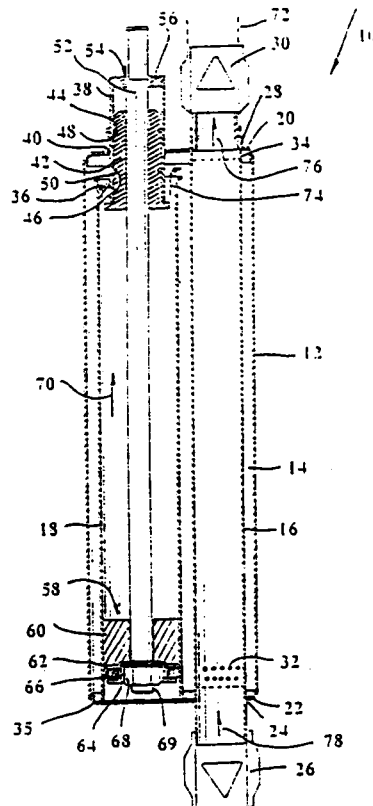
6 December 1993

PHILLIP FREDERICK LOCK STRAUSS

PUMPING ARRANGEMENT.

A pump unit includes a housing defining a chamber; a first cylinder provided in the housing and extending through both end covers of the housing; a first one-way valve provided at one end of the first cylinder; a second one-way valve provided at the other end of the first cylinder; at least one first aperture in the first cylinder leading into the chamber; a second cylinder provided in the housing; a piston rod extending through the second end cover of the housing into the second cylinder; a piston attached to the piston rod; at least one second aperture leading into the second cylinder from the chamber so that movement of the piston away from such second aperture(s) suction of liquid through the first one-way valve into the first cylinder, whilst the second one-way valve is closed, and movement of the piston in an opposite

direction causes closure of the first one-way valve and opening of the second one-way valve for displacing liquid from the second cylinder through the second one-way valve to be discharged via a discharge pipe.



Registration number of patent: 92/0119

Date received: 2 December 1992

Date of letters patent: 22 January 1993

Name of patentee(s): CSIR

Name of inventors: NICOLAAS HENDRIK ARNOLD, KEITH WILLIAM BOWEN

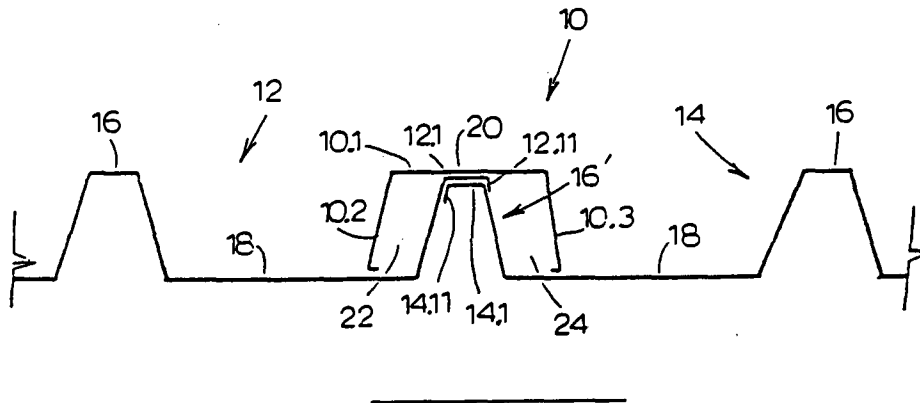
Title: Accessory for a roof covering

Number of pages of application: 10

ABSTRACT

An accessory for a roof covering is disclosed which is suitable for at least partially separating rain water from solids present on the roof and for allowing the rain water to be drained through a passage formed between the accessory and the roof covering, which is substantially free of solids. The accessory comprises a cover having a profile

which is generally of inverted channel shape and has at least one side panel adapted, in use, to be located in spaced relationship from the surface of at least one of the crowns of the roof covering.



Registration number of patent: 93/0023

Date received: 19 March 1993

Date of letters patent: 10 August 1993

Name of patentee(s): FORSCHUNGSZENTURM JÜLICH GmbH

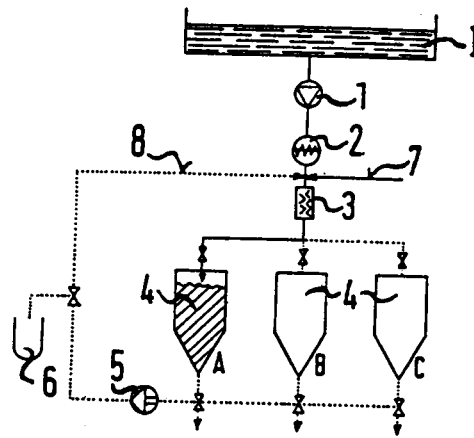
Name of inventors: DRAGOLJUB BILANOVIC, FRIEDRICH-HELMUTH MOHN

Title: Process for recovering valuable substances, in particular carotinoids from algae and installations suitable therefor

Number of pages of application: 12

ABSTRACT

The recovery of valuables, in particular carotinoids from seawater algae such as specifically *Dunaliella*, is attained by extraction of the valuable substance from the brine culture without preceding enrichment of the biomass, care being taken before or during the extraction that an adequate liberation of the valuable from the algae is brought about by the application of adequate shear forces. In particular β -carotin, starting from brine cultures of *Dunaliella* may be extracted using an oil allowed for food purposes in an amount of preferably between 1 and 10% based on the brine culture. Preferably brine cultures having a salt concentration of 18 to 30% in particular 22 to 28% of salt are processed. Preferably the oil which is dispersed using a high speed colloid mill with simultaneous maceration of the algae (after phase separation has taken place) is recycled to the extraction stage with progressive enrichment of the valuable substance in the solution.



Registration number of patent: 93/0047

Date received: 2 June 1993

Date of letters patent: 2 February 1994

Name of patentee(s): GERSAN ESTABLISHMENT

Name of inventors: MARIE-LINE ROONEY, JAMES GORDON CHARTERS
SMITH, MARTIN PHILLIP SMITH, MARTIN COOPER

Title: Detecting diamonds in a rock sample

Number of pages of application: 32

ABSTRACT

In order to provide secure and simple detection of diamonds when prospecting, a rock sample is reduced to powder particles which are automatically checked to see if they contain diamond particles (30) by processing an image of X-radiation transmitted by a layer of the particles. The image may be processed by comparing it with a further image of visible light transmitted by the layer of particles.

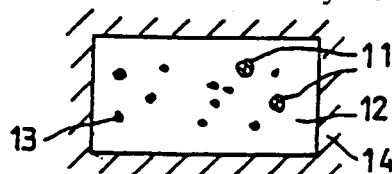


FIG.3.

Registration number of patent: 93/0109

Date received: 28 October 1993

Date of letters patent: 25 January 1994

Name of patentee(s): CSIR

Name of inventors: NICOLAAS HENDRIK ARNOLD, MARTHINUS SAMUEL SMIT

Title: Sealing washer

Number of pages of application: 12

ABSTRACT

A sealing washer having a bore through which a roof fastening member may be passed. The physical properties and shape of at least a portion of the washer may be selected such that when opposing forces are applied to the washer in an axial direction, the washer is elastically deformed towards the bore so as to decrease the diameter thereof and to cause the washer to seal against the fastening member extending through the bore and having a diameter which is at most substantially the same as that of the bore.

